

Colour/Description APN Code 93-13045

Technical Specifications



Medea Shower Mixer - 80mm Plate

- 35mm ceramic disc cartridge
- Metal wall plate construction for longevity
- Pin lever handle
- Body inlets - 1/2" BSP female
- Suitable for mains pressure installation
- WELS rating not required

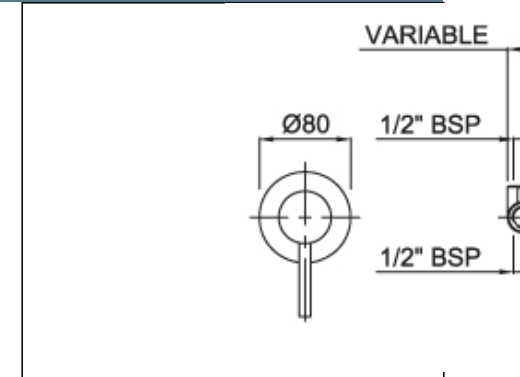


15 YEAR
CARTRIDGE
REPLACEMENT



5 YEAR
PARTS & LABOUR

DOMESTIC INSTALLATIONS



Chrome

06-5134